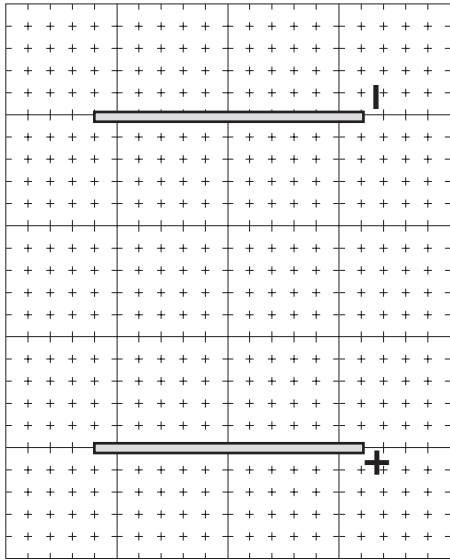
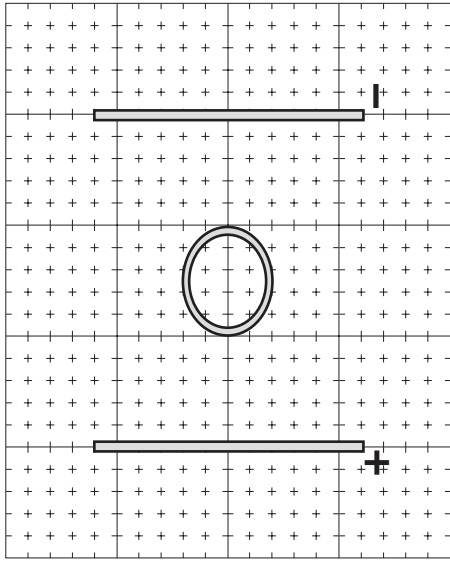


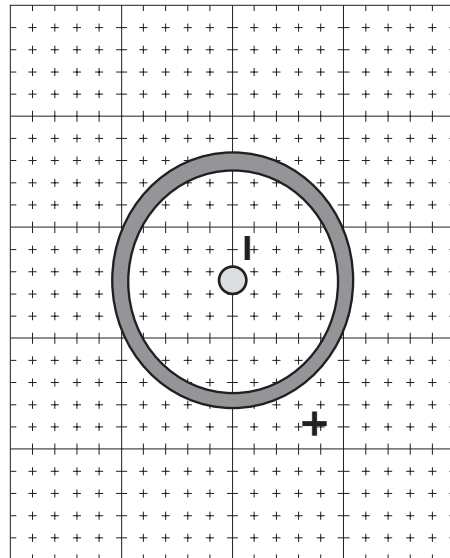
Two Point Charges



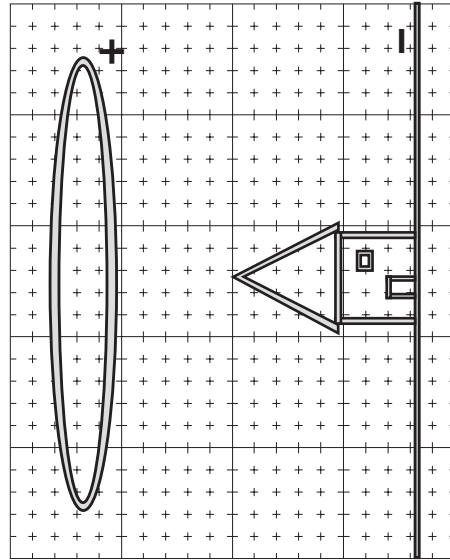
Parallel Plates



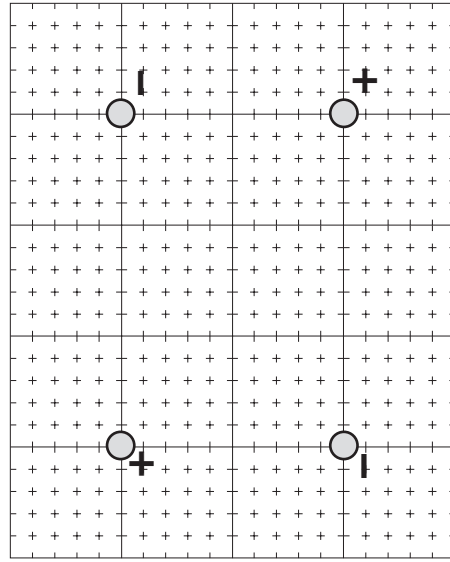
Parallel Plates with
Conductor Obstacle



Point Source in
Large Conductor



Electric Field During
a Thunderstorm



Quadrupole Moment